



Important Safety Information

ALWAYS read these installation instructions before installing this product. You must observe the instructions inside this booklet.

ALWAYS attach this grab bar to a surface using fixings matched to the grab bar, the type of surface and the loading conditions to be applied.



ALWAYS match the fixing to the holes in the grab bar.

ALWAYS use all fixing holes.

ALWAYS have grab bars installed by a trained and experienced skilled craftsman.



NEVER install countersunk head fixings.

NEVER add countersinks to any holes on the grab bars.

NEVER make fixing holes larger.

NEVER misuse the rail - it is an aid to manual movement only.



NO! making fixing holes larger will reduce the strength of the grab bar and invalidate any warranty or stated weight capacity.



DO NOT place matches or cigarettes on or near this product. The following materials are used in this product: Stainless Steel, ABS Shower head slider.

Failure to install this AKW product in accordance with supplied instructions or the making of unauthorised modifications will invalidate any warranty and will affect product safety.

The measurements throughout these installation and user care instructions have been converted from metric to its equivalent in imperial, therefore all dimensions are approximate and subject to manufacturing tolerances. These instructions are offered as advised minimum standards of installation and recommended best practice for the installations. Due to the very wide variability of possible installation conditions AKW does not make any warranty, expressed or implied, or accept any liability in connection with this information or its use. This information is furnished upon the condition that the person receiving it shall make his/her own tests to determine the suitability thereof for his/her particular purpose.

To order additional products or parts please call: 01905 823299

AKW, Pointon Way, Hampton Lovett, Droitwich Spa, WR9 0LR
Tel.+44 (0) 1905 823298 - Fax. +44 (0) 1905 823297 - www.akw-ltd.co.uk

AKW[®]
life. style. choice.

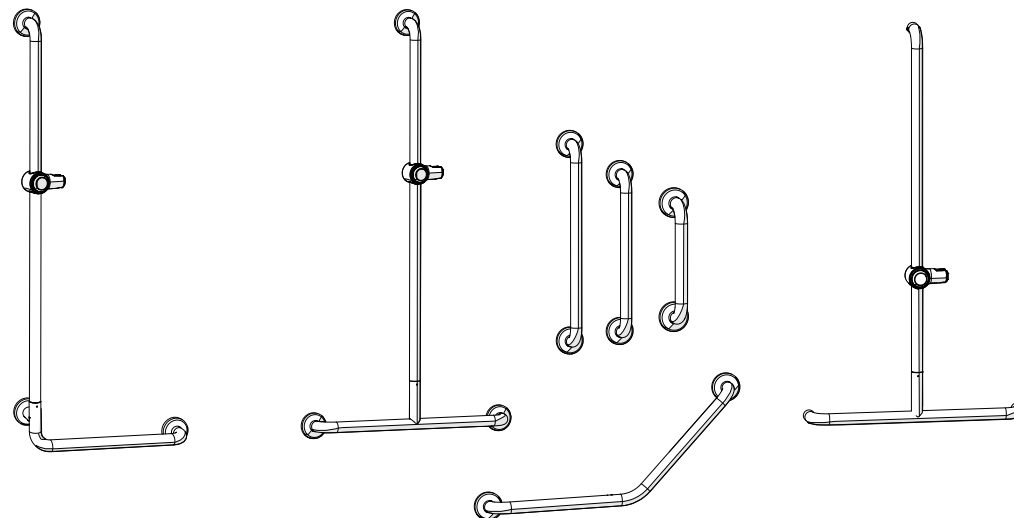


Epoxy Coated Grab Rails

Installation And User Care Instructions



Read ALL instructions carefully BEFORE installation and leave with the end user



IMPORTANT SAFETY NOTICE

The straight and angled rails are rated to 150kg / 330lb. T and L rail products are rated to 100kg / 220lb ONLY when installed and fully maintained according to these instructions.

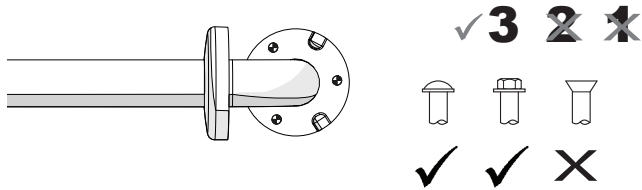


Colour: White RAL 9016



Installation Instructions

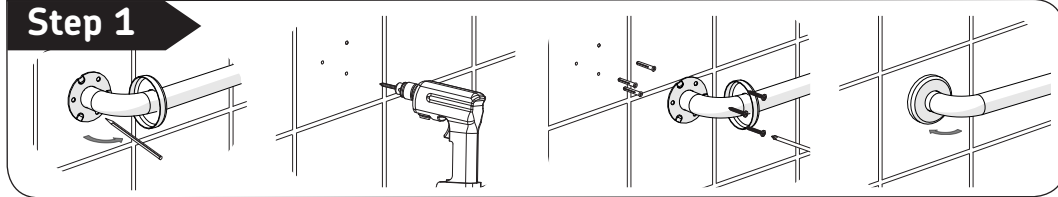
AKW recommend that you follow these guidelines when installing Grab Rails. These rails can be supplied as a kit of parts or an individual Grab Rails. Use suitable fixing for wall type.



Do not use fixings with Countersunk heads.

All fixing holes in all mounting brackets must be used with 5mm (3/16in) or No. 10 Gauge steel or stainless steel fixings. Do-not over-tighten fixings. Use fixings adequate for load. Wall surface and supporting structure must be adequate to support load - test suitability of wall and fixings before use. Solid brick, concrete block or timber reinforcement is essential. Each fixing must be capable of withstanding 35kg (77 lbs) pull-out force. All AKW Grab Bars are designed and tested to meet the requirements of EN 12182

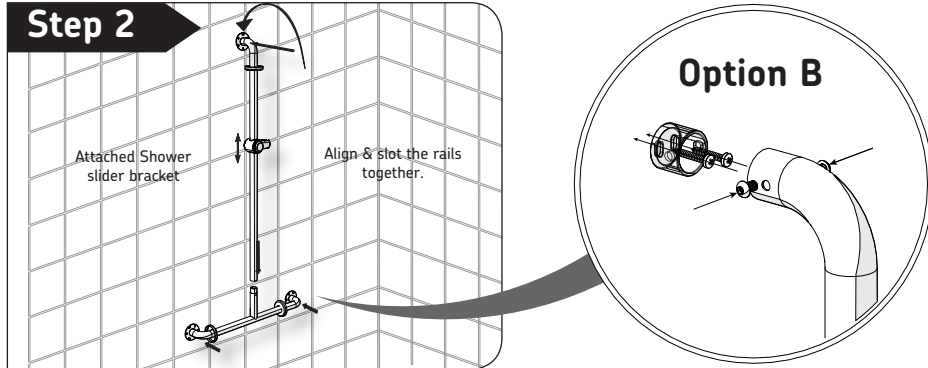
Step 1



Pre-assemble grab bar or rail arrangement. Choose the position and start with mounting bracket.

- (1) Mark the position of the mounting bracket on the wall.
- (2) Drill the holes with a suitable wall / tile drill piece.
- (3) Use suitable wall fixings (as detailed above) to secure the mounting bracket to the wall. Do-not over-tighten
- (4) Assemble and secure the elbow to mounting bracket. Ensure the cover plate is in place.

Step 2



Measure and check the length of the grab bar. Attach the shower head riser where applicable. Firmly push fit the bar into the elbow and secure with the fixing. **Do not hammer into position.** Repeat Step1 with the desired elbow bracket on the opposite end of the grab bar in the correct position checking that the bar is level. Keep repeating until the final desired arrangement is achieved. Ensure all mounting fixings have been used and the bar is level.

Stainless Steel grab bars are recommended for internal applications. Bars may be installed in other locations but optimum product life may not be achieved. AKW are unable to specify the type of fixing to be used simply due to the vast number of possible types and conditions of surfaces to which the bar can be attached.

User Care Instructions

AKW grab bars are designed for general domestic use as an aid to the movement of a person about a normal dwelling place.

They are intended to be used to provide gripping or handle positions around doorways, stairwells, showers, baths and other similar applications.

The grab bar must only be used for the tasks it is intended to perform.

Do not use it to tie objects or hang items from it or secure items to it.

This may have serious detrimental effects on its performance and safety.

Grab bars should be checked as part of a planned maintenance programme and any bars showing evidence of damage or misuse must be replaced.

Keeping your AKW Grab Bar clean

This product should be cleaned periodically using normal domestic bathroom cleaning materials.

After cleaning always rinse with water then wipe thoroughly with a damp cloth to remove any cleaning material residues before drying off.

Do not use strong or concentrated acidic, alkaline or other cleaning materials as these may discolour or otherwise damage the product.

AKW **do not approve or recommend** autoclave cleaning due to the damage this can cause to the special engineering materials used in the construction of this product.

Disinfecting

Where disinfecting is necessary, standard procedures for disinfecting equipment should be used with due care and attention taken of the warnings concerning possible effects of aggressive chemicals on rails.

Packaging

These grab rails parts are supplied in polypropylene (PP) bags to keep the product unsoiled until installation; it may also be bulk-packed in a cardboard box.

Both are suitable for recycling operations and should be disposed of in accordance with local recycling regulations.

Epoxy Coated Grab Rail Product Specification / Data Sheet

This product is designed for a single location installation.

Maximum weight capacities* :

Straight/Angled Grab Rails 150kg / 330lb or 23 stone

T & L Grab Rails 100kg / 220lb or 15 stone

Applied for less than 30 minutes in any 60 minute period.

* Weight Capacity refers to the grab bar only.

Fixings and retention in the mounting surface are the responsibility of the installer.

Standard operating

temperature range : +5°C to +35°C.

Materials of Construction:

Brackets: SS201

Bracket covers: SS201

Rails: SS201

Some rail options include ABS Shower head slider